

DATA SHEET

COR COOLING™ EX1200-6 TRANSMISSION OIL COOLER

PRODUCT NAME	COR Cooling™ Transmission Oil Cooler
EQUIPMENT SUITABILITY	Hitachi EX1200-6 Excavator
H-E PARTS #	C33607

PRODUCT TYPE	Transmission Oil Cooler
SERIAL # RANGE	001001-
OEM PART #	465-8096

H-E Parts manufactures and supplies high quality, innovative COR Cooling™ products that can also be tailored to our customers' specific requirements. H-E Parts in-house engineering, COR Cooling™ product and associated service offerings, guarantee we can support customers throughout the full product life cycle while working to award the end user with the lowest total cost of ownership.

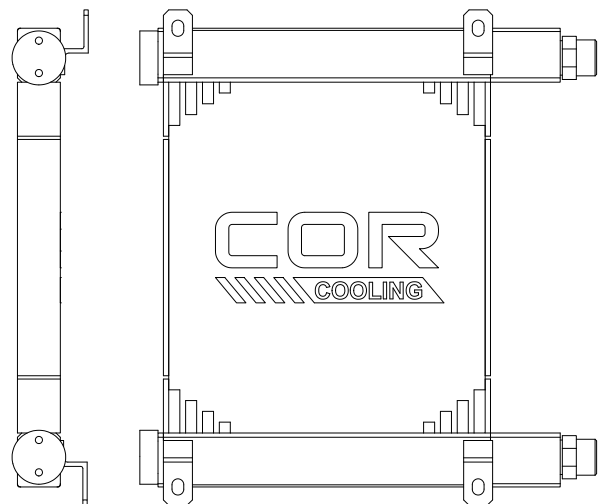
COMPONENTS

- C33607 - Transmission Oil Cooler (OEM #465-8096)

FEATURES AND BENEFITS

With our extensive range and abilities of our COR Cooling™ bar and plate product line, we are able to supply replacement components for a variety of customers across a range of industries. Benefits of this product line include a combination of the below features:

- Heavy duty bar and plate design to suit harsh mining and quarrying environments.
- Corner block reinforcements prevent premature failure of end tubes
- Anodized cores and aluminum to resist corrosion, extended service life and result in less downtime
- Sideband expansion slits allow the core to expand and contract evenly to prevent premature cracking
- Enhanced external open fin design to prevent blockages and ease cleaning
- Increased internal and external cooler durability



H-E Parts International replacement parts are compatible with the makes and/or models of the third-party equipment described. H-E Parts International is not an authorized repair facility of these third parties and it does not have an affiliation with any manufacturers of these third-party products. All brands, original equipment manufacturer (OEM) part numbers or references are owned by the respective OEM entities or their affiliates. These terms are used by H-E Parts International for identification and cross reference purposes only and are not intended to indicate affiliation with, or approval by the OEM, of H-E Parts International or its products.