

**INNOVATION.  
NOT DUPLICATION.™**

 **HE PARTS  
INTERNATIONAL**

MINING SOLUTIONS COOLING DIVISION

**COR COOLING™  
KOMATSU COMPATIBLE  
REPLACEMENT PRODUCTS**



# KOMATSU

H-E PARTS #	OEM PART #	FULL DESCRIPTION	SERIAL RANGE
<b>EXCAVATORS</b>			
<b>HB205-1MO</b>			
C18930	205-03-37160	OIL COOLER; KOMATSU HB215LC- 1MO EXC HYD OPEN FIN 90M M CORE	10001 UP
<b>HB215LC-1MO</b>			
C18930	205-03-37160	OIL COOLER; KOMATSU HB215LC- 1MO EXC HYD OPEN FIN 90M M CORE	10001 UP
<b>HB335LC-1</b>			
C18933	207-03-22411	RADIATOR; KOMATSU HB335LC-1 EXCAVATOR OPEN FIN	1001 UP
C18934	207-03-22721	RADIATOR; KOMATSU HB335LC-1 EXCAVATOR; SWING MOTOR OPEN FIN	1001 UP
C18932	207-03-21171	OIL COOLER; HYDRAULIC KOMATSU HB335LC-1 EXCAVATOR, OPEN FIN	1001 UP
C18931	6152-62-5110	CHARGE AIR COOLER; HB335LC-1 KOMATSU EXCAVATOR OPEN FIN	1001 UP
<b>HB365-1</b>			
C18933	207-03-22411	RADIATOR; KOMATSU HB335LC-1 EXCAVATOR OPEN FIN	1001 UP
C18934	207-03-22721	RADIATOR; KOMATSU HB335LC-1 EXCAVATOR; SWING MOTOR	1001 UP
C18932	207-03-21171	OIL COOLER; HYDRAULIC KOMATSU HB335LC-1 EXCAVATOR, OPEN FIN	1001 UP
C18931	6152-62-5110	CHARGE AIR COOLER; HB335LC-1 KOMATSU EXCAVATOR OPEN FIN	1001 UP
<b>HB365LC-3</b>			
C32348	2A7-03-21121 2A7-03-21111	RADIATOR; KOMATSU HB365LC-3 HYBRID CRAWLER EXCAVATOR OPEN FIN, BAR AND PLATE	5001 UP & 70001 UP
C18934	207-03-22721	RADIATOR; KOMATSU HB335LC-1 HB335LC-1 EXCAVATOR; SWING MOTOR	5001 UP & 70001 UP
C18989	6152-625110	CHARGE AIR COOLER; OPEN FIN	5001 UP & 70001 UP
C32347	2A7-03-21181	OIL COOLER; KOMATSU HB365LC-3 HYBRID CRAWLER EXCAVATOR BAR AND PLATE OPEN FIN	5001 UP & 70001 UP
<b>PC118MR-8</b>			
C18958	22B-03-21421	OIL COOLER; HYDRAULIC; KOMATSU PC138US-8 & PC118MR-8 EXCAVATOR OPEN FIN	F00003 UP
<b>PC130-8</b>			
C18957	203-03-12221	RADIATOR; KOMATSU PC130-8 EXCAVATOR OPEN FIN	80001 UP
C18956	203-03-12131 203-03-12141	OIL COOLER; HYDRAULIC; KOMATSU PC130-8 OPEN FIN 120 THICK	B10001 UP
<b>PC138US-8</b>			
C18958	22B-03-21421	OIL COOLER; HYDRAULIC; KOMATSU PC138US-8 & PC118MR-8 EXCAVATOR OPEN FIN	24510 UP
<b>PC200-6Z &amp; PC210-6D</b>			
C18961	206-03-63111	OIL COOLER; TO SUIT KOMATSU PC200-6 & PC210-6 EXCAVATOR	80001 UP
<b>PC200-8MO</b>			
C18967	20Y-03-46110	RADIATOR; KOMATSU PC200-8MO; PC200LC-8MO OPEN FIN	400001 UP & DBB2001 UP
C18965	20Y-03-46130	OIL COOLER; HYDRAULIC KOMATSU PC200-8MO EXCAVATOR OPEN FIN	400001 UP & DBB2001 UP
C18963	20Y-03-46170	CHARGE AIR COOLER; KOMATSU PC200-8MO; PC200LC-8MO OPEN FIN	400001 UP & DBB2001 UP

# KOMATSU

H-E PARTS #	OEM PART #	FULL DESCRIPTION	SERIAL RANGE
<b>PC210LC-11 &amp; PC210-11 &amp; PC210LCI-11</b>			
C32657	2A5-03-25641	RADIATOR; KOMATSU PC210-11 EXCAVATOR BAR AND PLATE OPEN FIN	500001 UP
C32822	2A5-03-25111	OIL COOLER KOMATSU PC210-11 EXCAVATOR BAR AND PLATE OPEN FIN	500001 UP
<b>EXCAVATORS</b>			
<b>PC220-8 &amp; PC220LC-8</b>			
C18980	206-03-21412	RADIATOR; KOMATSU PC220-8 EXCAVATOR OPEN FIN	85001 UP
C18978	20Y-03-41662	OIL COOLER; HYDRAULIC; KOMATSU PC220-8 EXCAVATOR OPEN FIN 150MM	80377 UP
C18976	206-03-21431	CHARGE AIR COOLER; KOMATSU PC220-8 EXCAVATOR; OPEN FIN	80377 UP
<b>PC220-8MO &amp; PC220LC-8MO</b>			
C18974	20Y-03-46110	RADIATOR KOMATSU PC220-8MO OPEN FIN	400001 UP
C18972	20Y-03-42461	OIL COOLER; HYDRAULIC KOMATSU PC220-8MO OPEN FIN	400001 UP
C18971	206-03-24170	CHARGE AIR COOLER; KOMATSU PC220-8MO; PC220LC-8MO OPEN FIN	400001 UP
<b>PC228US-8</b>			
C32398	22U-03-31660	RADIATOR; KOMATSU PC228US-8 EXCAVATOR BAR AND PLATE OPEN FIN	50001 UP
C32397	22U-03-31321	OIL COOLER; KOMATSU PC228US-8 EXCAVATOR BAR AND PLATE OPEN FIN	50001 UP
C32399	22U-03-31341	CAC; OPEN FIN KOMATSU PC228US-8 EXCAVATOR BAR AND PLATE	50001 UP
<b>PC228LC-11</b>			
C32824	22U-03-41160	OIL COOLER KOMATSU PC228US-11 OIL COOLER BAR AND PLATE	50001 UP
<b>PC240LC-11</b>			
C32316	2A6-03-11111	RADIATOR; KOMATSU PC290LC-11 EXCAVATOR; OPEN FIN DESIGN B&P	95001 UP
C32820	2A6-03-11131	OIL COOLER; KOMATSU PC240CC-11; OPEN FIN	95001 UP
<b>PC270-8</b>			
C18986	206-03-22411	RADIATOR; KOMATSU PC270-8 EXCAVATOR OPEN FIN	30001 UP
C18981	206-03-22421	OIL COOLER; HYD; TO SUIT KOMATSU PC270-8 EXC OPEN FIN	30001 UP
C18983	206-03-22431	CHARGE AIR COOLER - TO SUIT KOMATSU PC270-8 EXC OPEN FIN	30001 UP
<b>PC270LC-8</b>			
C18986	206-03-22411	RADIATOR; KOMATSU PC270-8 EXCAVATOR OPEN FIN	30117 UP
C18981	206-03-22421	OIL COOLER; HYD; TO SUIT KOMATSU PC270-8 EXC OPEN FIN	30117 UP
C18983	206-03-22431	CHARGE AIR COOLER - TO SUIT KOMATSU PC270-8 EXCAVATOR OPEN FIN	30117 UP
<b>PC290NLC-8K</b>			
C18986	206-03-22412	RADIATOR - TO SUIT KOMATSU PC270-8 EXCAVATOR OPEN FIN	K50001 UP
C18981	206-03-22421	OIL COOLER; HYD; TO SUIT KOMATSU PC270-8 EXC OPEN FIN	K50001 UP
C18983	206-03-22431	CHARGE AIR COOLER - TO SUIT KOMATSU PC270-8 EXCAVATOR OPEN FIN	K50001 UP
<b>PC290-11</b>			
C32316	2A6-03-11111	RADIATOR; KOMATSU PC290LC-11 EXC; OPEN FIN DESIGN BAR AND PLATE	95001 UP
C32820	2A6-03-11131	OIL COOLER; KOMATSU PC290LC-11 OPEN FIN	95001 UP
<b>PC300-8, PC350-8 &amp; PC300LC-8</b>			
C18993	207-03-75121	RADIATOR; KOMATSU PC300-8 EXCAVATOR OPEN FIN	60001 UP
C18991	REPLACES BOTH 207-03-76320 & 208-03-71131	OIL COOLER; HYDRAULIC; TO SUIT KOMATSU PC300-8 OPEN FIN	60001 UP
C18989	6152-62-5110	CHARGE AIR COOLER; PC300-8 KOMATSU PC300-8 (OPEN FIN - 90 THK)	60001 UP

# KOMATSU

H-E PARTS #	OEM PART #	FULL DESCRIPTION	SERIAL RANGE
<b>PC300-8MO</b>			
C18997	207-03-72321	RADIATOR B&P KOMATSU PC300LC-8MO; PC350LC-8MO EXC OPEN FIN	80001 UP
C18995	207-03-72221	OIL COOLER PC300LC-8MO; PC350LC-8MO OPEN FIN	80001 UP
C18989	6152-62-5110	CHARGE AIR COOLER; PC300-8 KOMATSU PC300-8 OPEN FIN	80001 UP
<b>EXCAVATORS</b>			
<b>PC360-11</b>			
C30515	2A7-03-12111	RADIATOR KOMATSU PC360LC-11 KOMATSU EXC; OPEN FIN BAR AND PLATE	90001 UP
C30516	2A7-03-12121	OIL COOLER; KOMATSU PC360LC-11 EXC; OPEN FIN BAR AND PLATE	90001 UP
C18989	6152-62-5110	CHARGE AIR COOLER; PC300-8 KOMATSU PC300-8 (OPEN FIN - 90 THK)	90001 UP
<b>PC400/450LC-8</b>			
C19006	208-03-75111	RADIATOR; KOMATSU PC400-7&-8;PC450-7&-8; 160MM THICK; OPEN FIN	70001 UP 75001 UP
C19000	6251-61-5110	OIL COOLER; HYD; PC400-8-1; BOT MOUNT MOD REQ. HIGH CAPACITY, STANDARD FIN	
C19004	6251-61-5110	OIL COOLER; CUSTOM HYD - KOMATSU PC400-8 BOT MOUNT NEEDS M, OPEN FIN	
C19002	6251-61-5110	CHARGE AIR COOLER TO SUIT PC400-8 EXCAVATOR OPEN FIN	
<b>PC550LC-8</b>			
C19006	208-03-75111	RADIATOR; KOMATSU PC400-7&-8;PC450-7&-8; 160MM THICK; OPEN FIN	
<b>PC600-8EO</b>			
C30437	21M-03-21110	RADIATOR; KOMATSU PC600 RAD 1 OF 2, BAR AND PLATE	65001 UP
C30435	21M-03-21120	RADIATOR; KOMATSU PC600 RAD 2 OF 2, BAR AND PLATE	65001 UP
<b>PC650-3 &amp;-5</b>			
C18959	209-03-51111	OIL COOLER; HYDRAULIC; KOMATSU PC650-3& -5; PC1600-1	10501 UP & 20001 UP
<b>PC650-8EO</b>			
C30437	21M-03-21110	RADIATOR; KOMATSU PC600 RAD 1 OF 2, BAR AND PLATE	65001 UP
C30435	21M-03-21120	RADIATOR; KOMATSU PC600 RAD 2 OF 2, BAR AND PLATE	65001 UP
<b>PC700-8EO</b>			
C30437	21M-03-21110	RADIATOR; KOMATSU PC600 RAD 1 OF 2, BAR AND PLATE	65001 UP
C30435	21M-03-21120	RADIATOR; KOMATSU PC600 RAD 2 OF 2, BAR AND PLATE	65001 UP
<b>PC710-5</b>			
C18959	209-03-51111	OIL COOLER; HYDRAULIC; KOMATSU PC650-3& -5; PC1600-1	10001 UP
<b>PC1250-7</b>			
C16933	64-06-1600	AIR COOLER; KOMATSU PC1250-7 CHARGE AIR COOLER	20001 UP
C18951	21N-03-37412	OIL COOLER; HYDRAULIC; ASSY - KOMATSU PC1250-7 EXCAVATOR TYPE 1	20001 UP
<b>PC1250-8</b>			
C18955	21N-03-41110	RADIATOR; PANEL TO SUIT KOMATSU PC1250LC-8 EXCAVATOR - 3 PER UNIT	30158 UP
C18952	21N-03-41120	OIL COOLER; HYDRAULIC; ASSY - TO SUIT KOMATSU PC1250-8 EXCAVATOR	30158 UP
C31622	21N-03-43510	CHARGE AIR COOLER; KOMATSU PC1250LC-8	30158 UP
<b>PC1600-1</b>			
C18959	209-03-51111	OIL COOLER; HYDRAULIC; KOMATSU PC650-3& -5; PC1600-1	10001 UP

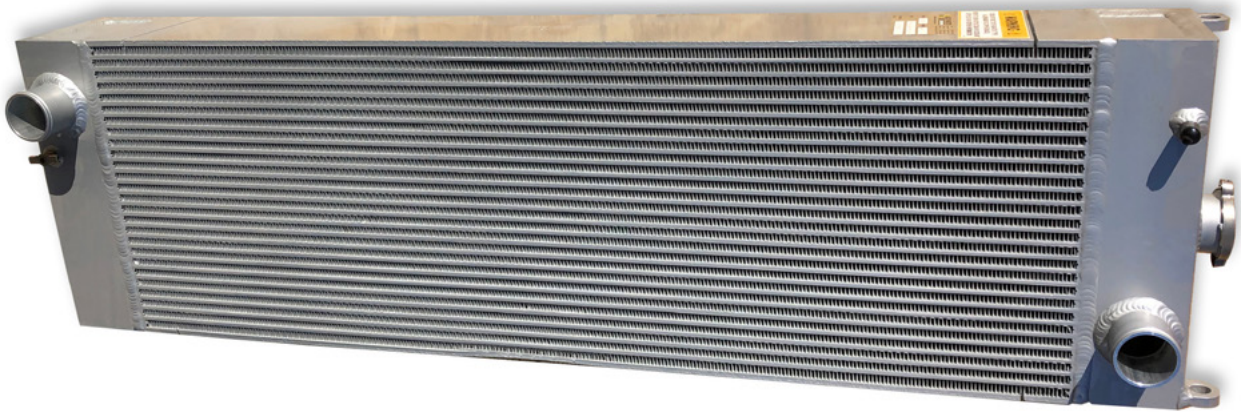
# KOMATSU

H-E PARTS #	OEM PART #	FULL DESCRIPTION	SERIAL RANGE
<b>PC1800-6</b>			
C18960	21T-03-67321	OIL COOLER; HYDRAULIC; KOMATSU PC1800-6	10001 UP
<b>PC2000-8</b>			
C18969	21T-03-31711	RADIATOR; KOMATSU EXCAVATOR PC2000-8; 3 PER MACHINE	20001 UP
C18968	21T-03-31160	CHARGE AIR COOLER; KOMATSU EXCAVATOR PC2000-8 2 PER UNIT	20001 UP
<b>PC4000-6 &amp; -6E</b>			
C19007	95809040 & 94184640	OIL COOLER; HYDRAULIC; TO SUIT KOMATSU PC5500 PC4000	8151 UP
<b>PC5500-6</b>			
C19007	95809040 & 94184640	OIL COOLER; HYDRAULIC; TO SUIT KOMATSU PC5500 PC4000	15012 UP

## PRODUCT HIGHLIGHT

### COR COOLING™ PC200-8MO EXCAVATOR RADIATOR

<b>PRODUCT NAME</b>	PC200LC-8MO OPEN FIN RADIATOR	<b>PRODUCT TYPE</b>	RADIATOR
<b>EQUIPMENT SUITABILITY</b>	PC200-8MO	<b>SERIAL # RANGE</b>	400001 UP & DBB2001 UP
<b>H-E PARTS #</b>	C18967	<b>OEM PART #</b>	20Y-03-46110



H-E Parts manufactures and supplies high quality, innovative COR Cooling™ products that can also be tailored to our customers' specific requirements. H-E Parts in-house engineering, COR Cooling™ product and service offerings, guarantee we can support customers throughout the full product life cycle while working to award the end user with the lowest total cost of ownership.

#### FEATURES AND BENEFITS

With our extensive range and abilities of our COR Cooling™ bar and plate product line, we are able to supply replacement components for a variety of customers across a range of industries. Benefits of this product line include:

- Heavy duty bar and plate design to increase service life.
- Sideband expansion slits allow the core to expand and contract evenly to prevent premature cracking.
- Designed to operate within all harsh conditions
- Enhanced external open fin design to prevent blockages and ease cleaning.

# KOMATSU

H-E PARTS #	OEM PART #	FULL DESCRIPTION	SERIAL RANGE
<b>TRUCKS</b>			
<b>HD465-7EO</b>			
C18935	569-03-89112	RADIATOR; HD465-7R HD605-7EO; 140MM THICK CORE	8001 UP
C18937	569-03-89191	CHARGE AIR COOLER; KOMATSU HD605-7EO; HD465-7R CORE ONLY; EXCHANGE REQUIRED	8001 UP
<b>HD465-7R</b>			
C18935	569-03-89112	RADIATOR; KOMATSU HD465-7R HD605-7EO; 140MM THICK CORE	15352 UP
C18937	569-03-89191	CHARGE AIR COOLER; KOMATSU HD605-7EO; HD465-7R CORE ONLY; EXCHANGE REQUIRED	15352 UP
<b>HD465-8</b>			
C30691	569-03-8L021 & 569-03-8L161	RADIATOR; TO SUIT KOMATSU HD605-8 OFF HIGHWAY TRUCK OPEN FIN	30001 UP
<b>HD605-7EO</b>			
C18935	569-03-89112	RADIATOR; HD465-7R HD605-7EO; 140MM THICK CORE	10732 UP
C18937	569-03-89191	CHARGE AIR COOLER; HD605-7EO; HD465-7R CORE ONLY; EXCHANGE REQUIRED	10732 UP
<b>HD605-7R</b>			
C18935	569-03-89112	RADIATOR; KOMATSU HD465-7R HD605-7EO; 140MM THICK CORE	15352 UP
C18937	569-03-89191	CAC; KOMATSU HD605-7EO; HD465-7R CORE ONLY; EXCHANGE REQUIRED	15352 UP
<b>HD605-8</b>			
C30691	569-03-8L021 & 569-03-8L161	RADIATOR; TO SUIT KOMATSU HD605-8 OFF HIGHWAY TRUCK OPEN FIN	30001 UP
<b>HD785-7</b>			
C16936	561-03-81660	AIR COOLER; KOMDAC490D KOMATSU HD785-7 CAC	8173 UP
C18940	561-03-81280	OIL COOLER; HYDRAULIC; TO SUIT KOMATSU 785-7 DUMPTRUCK	8173 UP
C18941	561-03-81632	CORE; KOMATSU HD785-7; 2 PER RADIATOR	8173 UP
C18942	561-03-81652	CORE; KOMATSU HD785-7 TYPE 2 OF 3	8173 UP
C18943	561-03-81642	CORE; KOMATSU HD785-7 TYPE 3 OF 3	8173 UP
<b>HM300-3</b>			
C18944	56D-03-31220	RADIATOR; KOMATSU HM300-2, -3 & -5 (RAD 1 OF 2) OPEN FIN	3001 UP
C18945	56D-03-31230	RADIATOR; KOMATSU HM300-2, -3 & -5 (RAD 2 OF 2) OPEN FIN	3001 UP
<b>HM300-5</b>			
C18944	56D-03-31220	RADIATOR; KOMATSU HM300-2, -3 & -5 (RAD 1 OF 2) OPEN FIN	10001 UP
C18945	56D-03-31230	RADIATOR; KOMATSU HM300-2, -3 & -5 (RAD 2 OF 2) OPEN FIN	10001 UP
<b>HM350-2R</b>			
C18946	56B-03-21210	RADIATOR; KOMATSU HM350-2 & HM400-2 (RAD 1 OF 2) OPEN FIN	7030 UP
C18947	56B-03-21220	RADIATOR; KOMATSU HM350-2 & HM400-2 (RAD 2 OF 2) OPEN FIN	7030 UP
<b>HM400-2</b>			
C18946	56B-03-21210	RADIATOR; KOMATSU HM350-2 & HM400-2 (RAD 1 OF 2) OPEN FIN	2633 UP
C18947	56B-03-21220	RADIATOR; KOMATSU HM350-2 & HM400-2 (RAD 2 OF 2) OPEN FIN	2633 UP
<b>HM400-2R</b>			
C18946	56B-03-21210	RADIATOR; KOMATSU HM350-2 & HM400-2 (RAD 1 OF 2) OPEN FIN	7079 UP
C18947	56B-03-21220	RADIATOR; KOMATSU HM350-2 & HM400-2 (RAD 2 OF 2) OPEN FIN	7079 UP

# PRODUCT HIGHLIGHT

## COR COOLING™ HD785-7 COOLING PACK ASSEMBLY

<b>PRODUCT NAME</b>	COR Cooling™ Cooling Pack Assembly
<b>EQUIPMENT SUITABILITY</b>	Komatsu HD785-7 Truck
<b>H-E PARTS #</b>	C16936, C18940, C18941, C18942, C19843

<b>PRODUCT TYPE</b>	Complete Assembly
<b>SERIAL # RANGE</b>	8173 UP
<b>OEM PART #</b>	561-03-84300

We take pride in our experience and reputation for delivering the highest quality products and service to our clients; assisting you with the design, manufacture and supply of suitable radiator, heat exchanger, or complete module solutions.

### ENGINEERING CAPABILITIES

Our Engineering team utilizes 3D modeling and design verification software to design, optimize, engineer and manufacture to meet the customer's specific cooling requirements. Using computer-aided design software enables us to deliver on new projects faster and more efficiently.

### ENGINEERING INNOVATION

At H-E Parts, we are continuously developing our products to offer innovative solutions that increase productivity through longer service life, more efficient products and time saved through availability.

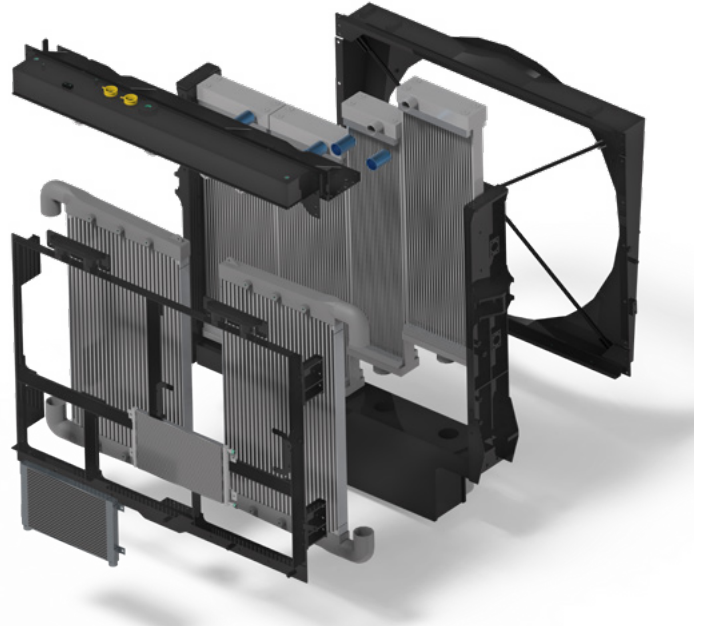
### PROPRIETARY SOFTWARE

Using our proprietary software, we can continually improve our bar and plate range to better suit the specific application requirements.

### CUSTOM SOLUTIONS

Our experience in application specific solutions assist our customers in avoiding costly machine breakdowns caused by inappropriate or ineffective cooling systems. This results in lower maintenance costs and more machine uptime, increasing productivity.

High quality cooling systems ensure longer machine life expectancy through the reduction of unnecessary overheating machine components. An engineered solution from H-E Parts also generates other potential benefits, including high machine performance through increased efficiency and reduced fuel consumption.



# KOMATSU

H-E PARTS #	OEM PART #	FULL DESCRIPTION	SERIAL NUMBER
<b>WHEEL LOADERS</b>			
<b>WA100-5 &amp; WA150-5</b>			
C19016	416-03-32461	OIL COOLER; HYDRAULIC B&P SUIT KOMATSU WA150-5 LOADER OPEN FIN	70001-UP
<b>WA200-5</b>			
C19018	418-03-31132	CHARGE AIR COOLER; B&P SUIT WA200-5 LOADER S/N 65001 UP OPEN FIN	65001 UP
<b>WA200PZ-6</b>			
C19018	418-03-41130	CHARGE AIR COOLER; B&P SUIT WA200-5 LOADER S/N 65001 UP OPEN FIN	70001 UP
C19022	418-03-41110	RADIATOR, KOMATSU, WA200 / 250 OPEN FIN, 125 CORE	70001 UP
C19026	418-03-48162	OIL COOLER; OPEN FIN VERSION HYD - KOMATSU WA 200-6 250-6 LOADER 70883-UP - OPEN FIN	75750 UP
<b>WA250-5</b>			
C19018	418-03-31132	CHARGE AIR COOLER; B&P SUIT WA200-5 LOADER S/N 65001 UP OPEN FIN	70001 UP
<b>WA250PZ-6</b>			
C19018	418-03-31132	CHARGE AIR COOLER; B&P SUIT WA200-5 LOADER S/N 65001 UP OPEN FIN	75001 UP
C19022	418-03-41110	RADIATOR, KOMATSU, WA200 / 250 OPEN FIN, 125 CORE	70001 UP
C19026	418-03-48162	OIL COOLER; OPEN FIN VERSION HYD - KOMATSU WA 200-6 250-6 LOADER 70883-UP - OPEN FIN	75001 UP
<b>WA320-6 / 320PZ-6</b>			
C19033	419-03-48110	RADIATOR; KOMATSU WA320PX-6 & WA320-6 OPEN FIN	75001 UP
C19029	419-03-42130	CHARGE AIR COOLER; KOMATSU WA320-PZ6 LOADER OPEN FIN	70001 UP
C19031	419-03-48120	OIL COOLER; OPEN FIN VERSION HYD - TO SUIT KOMATSU WA320-PZ 6 LOADER OPEN FIN	70452 UP
<b>WA380-6</b>			
C19043	423-03-41310 & 423-03-41101	RADIATOR; KOMATSU WA380-6 LOADER TYPE 2 OPEN FIN	65001 UP & 65949 UP
C19038	423-03-41120	CHARGE AIR COOLER; TO SUIT KOMATSU WA380-6 LOADER (OPEN FIN)	65001 UP
C19040	423-03-41230 & 423-03-41240	OIL COOLER; HYDRAULIC; TO SUIT KOMATSU WA380-6 LOADER (OPEN FIN-100 THK)	65001 UP
<b>WA380-8</b>			
C19035		OIL COOLER; KOMATSU WA380-8 BAR & PLATE OPEN FIN. NON STANDARD. FITS TO FAN GRILL. REQUIRES HOSE EXTENSIONS.	15001 UP
C19034	423-03-61130	CHARGE AIR COOLER; WA380-8 WA380-8 & -8EO OPEN FIN	15001 UP
C30900	423-03-61111 & 423-03-61121	RADIATOR; KOMATSU WA380-8 WHEEL LOADER	15001 UP
<b>WA430-6</b>			
C19051	424-03-42410 & 424-03-41111	RADIATOR; KOMATSU WA430-6 LOADER TYPE 2 OPEN FIN	65001 UP & 65501 UP
C19046	424-03-41121	CHARGE AIR COOLER; TO SUIT KOMATSU WA430-6 LOADER - OPEN FIN	65001 UP
C19048	424-03-41221	OIL COOLER; HYDRAULIC; TO SUIT KOMATSU WA430-6 LOADER - OPEN FIN	65001 UP
<b>WA470-6</b>			
C19054	421-03-44150	CHARGE AIR COOLER; TO SUIT KOMATSU WA470-6 LOADER - STD	90001 UP
C19056	421-03-44030	OIL COOLER; HYDRAULIC; TO SUIT WA470/480-6 LOADER - OPEN FIN	90001 UP
C19066	421-03-44180 & 421-03-44190	RADIATOR; KOMATSU; WA470-6 WA480-6; OPEN FIN REPLACES C19063 & C19065	90001 UP & 90461UP



# KOMATSU

H-E PARTS #	OEM PART #	FULL DESCRIPTION	SERIAL NUMBER
<b>WHEEL LOADERS</b>			
<b>WA470-7 &amp; -8</b>			
C30854	421-03-51110 & 421-03-51120	RADIATOR; KOMATSU WA470-7 LGE WHEEL LOADER. SINGLE UNIT DESIGN, REPLACES BOTH OEM UNITS	10001 UP & A47001 UP
C19052		OIL COOLER; WA470-7 HYD SUIT KOMATSU WA470-7 LOADER OPEN FIN. NON STANDARD FITS TO FAN GRILL, REQ HOSE EXT	10001 UP & A47001 UP
<b>WA480-6</b>			
C19063		RADIATOR; WA470-6;WA480-6; 1 OF 2 OPEN FIN (SUGGEST USE C19066)	
C19065		RADIATOR; WA470-6 & WA480-6; 2 OF 2 OPEN FIN ( SUGGEST USE C19066)	
C19066		RADIATOR; WA470-6 WA480-6; OPEN FIN REPLACES C19063 & C19065	
C19054	421-03-44150	CHARGE AIR COOLER; TO SUIT WA470-6 LOADER - STD	90001 UP
C19056	421-03-44030	OIL COOLER; HYD; TO SUIT WA470/480-6 LOADER - OPEN FIN	90001 UP
<b>WA500-6</b>			
C19072	425-03-32212	RADIATOR; KOMATSU WA500-6; RAD 1 OF 2 OPEN FIN	55479 UP
C19074	425-03-32222	RADIATOR; KOMATSU; WA500-6 RAD 2 OF 2 OPEN FIN	55479 UP
C19070	425-03-31560	CHARGE AIR COOLER; TO SUIT KOMATSU WA 500-6 LOADER OPEN FIN CORE	55479 UP
C19069	425-505-3690	OIL COOLER; BRAKE - TO SUIT KOMATSU WA 500-6 LOADER OPEN FIN CORE	55479 UP
<b>WA600-6</b>			
C19076	426-03-37572	RADIATOR; TO SUIT KOMATSU WA600-6 LOADER (STD CORE) 4 PE R RAD	
C16935	426-03-37591	AIR COOLER; .KOMATSU WA600-6 CAC	
<b>WA800-3EO</b>			
C19084		OIL COOLER; BRAKE B&P SUIT WA800-3; WA900-3; WD900-3 LOADER	
C19085		RADIATOR; TO SUIT WA600-6 LOADER (STD CORE) 4 PE R RAD	
<b>WA &amp; WD900-3</b>			
C19085	427-50-51810	OIL COOLER; BRAKE B&P SUIT I WA800-3; WA900-3; WD900-3 WA1200-3	
<b>WA1200-3</b>			
C19085	427-50-51810	OIL COOLER; BRAKE B&P SUIT WA800-3; WA900-3; WD900-3 WA1200-3	
<b>WA1200-6</b>			
C19015	42C-03-18130	OIL COOLER; HYDRAULIC; KOMATSU WA1200-6 WHEEL LOADER	

## COR COOLING™ WA470-6 WHEEL LOADER RADIATOR

<b>PRODUCT NAME</b>	COR Cooling™ Open Fin Radiator
<b>EQUIPMENT SUITABILITY</b>	Komatsu WA470-6 WA480-6
<b>H-E PARTS #</b>	C19066WW
<b>OEM PART #</b>	421-03-44180 & 421-03-44190

H-E Parts manufactures and supplies high quality, innovative COR Cooling™ products that can also be tailored to our customers' specific requirements. H-E Parts in-house engineering, COR Cooling™ product and associated service offerings, guarantee we can support customers throughout the full product life cycle while working to award the end user with the lowest total cost of ownership.



# KOMATSU

H-E PARTS #	OEM PART #	FULL DESCRIPTION	SERIAL RANGE
<b>DOZER</b>			
<b>D65EX/PX/WX-16</b>			
C30440	14X-03-51161	OIL COOLER; HYD TO SUIT D65EX-16 CRAWLER DOZER BAR AND PLATE	80001 UP
<b>D65EXI/PXI/WX-18</b>			
C18928	14X-03-71161	OIL COOLER; HYD; KOMATSU D65PXI18 CRAWLER DOZER	90001 UP
<b>D85PX-15E0</b>			
C30442	154-03-76190	OIL COOLER; HYD; KOMATSU D85EX-15; D155AX-6; D375A-5E0 HIGH CAPACITY COOLER	1201,11608 & 11609 UP
<b>D85EXI/PXI-18</b>			
C18929	154-03-81191	OIL COOLER; HYDRAULIC; KOMATSU D85PXI18 CRAWLER DOZER	22001 UP
<b>D155AX-6 &amp;-6A</b>			
C18919	17A-03-41112	RADIATOR; KOMATSU D155AX-6 & -6A (2 PER MACHINE) OPEN FIN	81028 UP
C30442	17A-03-41510	OIL COOLER; HYD; KOMATSU D85EX-15; D155AX-6; D375A-5E0 HIGH CAPACITY COOLER - OPEN FIN	81028 UP
C30450	17A-03-41122	CHARGE AIR COOLER; D155AX-6 CRAWLER DOZER BAR AND PLATE	81028 UP
<b>D155A-6R</b>			
C18919	17A-03-41112	RADIATOR; KOMATSU D155AX-6 & -6A (2 PER MACHINE)	85077 UP
C30442	17A-03-41510	OIL COOLER; HYD; KOMATSU D85EX-15; D155AX-6; D375A-5E0 HIGH CAPACITY COOLER	85077 UP
C30450	17A-03-41122	CHARGE AIR COOLER; D155AX-6 CRAWLER DOZER BAR AND PLATE OPEN FIN	85077 UP
<b>D155AXI-8 &amp; D155AX-8</b>			
C32303	17A-03-61510	OIL COOLER; D155AXI-8 CRAWLER DOZER BAR AND PLATE	100040 UP
<b>D275AX-5E0</b>			
C18921	17M-03-51110	RADIATOR; D275A-5R & D275AX-5E0 (3 PER MACHINE)	30001 - 30209
C32438	17M-03-55111	OIL COOLER; D275A-5R/D275A-5E0 D275A-5; KOMATSU DOZER BAR AND PLATE OPEN FIN, HIGH CAPACITY	30001 - 30209
<b>D275A-5R</b>			
C18921	17M-03-51110	RADIATOR; D275A-5R & D275AX-5E0 (3 PER MACHINE)	35001 UP
C32438	17M-03-55111	OIL COOLER; D275A-5R/D275A-5E0 D275A-5; KOMATSU DOZER BAR AND PLATE OPEN FIN, HIGH CAPACITY	35001 UP
<b>D375A-5E0</b>			
C18922	195-03-63114	RADIATOR; D375A-5 & -5E0 & -6 & -6R (3 PER MACHINE) OPEN FIN	50001 UP
C18923	195-03-65181	CHARGE AIR COOLER; KOMATSU D375A-6 2 PER MACHINE	50001 UP
C30442	17A-03-41510	OIL COOLER; HYD; KOMATSU D85EX-15; D155AX-6; D375A-5E0 HIGH CAPACITY COOLER	50001 UP
<b>D375A-6</b>			
C18922	195-03-63114	RADIATOR; D375A-5 & -5E0 & -6 & -6R (3 PER MACHINE)	60001 UP
C18923	195-03-65181	CHARGE AIR COOLER; KOMATSU D375A-6 2 PER MACHINE	60001 UP
C30442	17A-03-41510	OIL COOLER; HYD; KOMATSU D85EX-15; D155AX-6; D375A-5E0 HIGH CAPACITY COOLER	60001 UP

# KOMATSU

H-E PARTS #	OEM PART #	FULL DESCRIPTION	SERIAL RANGE
<b>DOZER</b>			
<b>D375A-6R</b>			
C30442	17A-03-41510	OIL COOLER; HYD; KOMATSU D85EX-15; D155AX-6; D375A-5EO HIGH CAPACITY COOLER	65001 UP
<b>D475A-1&amp;2</b>			
C18925	198-03-51621	OIL COOLER; HYD; TO SUIT KOMATSU D475 & D475A-2 DOZER	10001 UP
<b>D475A-5EO</b>			
C18926	198-03-75590	CHARGE AIR COOLER; TO SUIT KOMATSU D475A-5EO DOZER (140 C ORE)	30147 UP

## PRODUCT HIGHLIGHT

### COR COOLING™ D275AX-5EO BAR AND PLATE OIL COOLER

<b>PRODUCT NAME</b>	D275AX-5EO BAR & PLATE OPEN FIN	<b>PRODUCT TYPE</b>	OIL COOLER
<b>EQUIPMENT SUITABILITY</b>	D275AX-5EO, D275A-5R & D275AX-5	<b>SERIAL # RANGE</b>	30001 - 30209
<b>H-E PARTS #</b>	C32438	<b>OEM PART #</b>	17M-03-55111

H-E Parts manufactures and supplies high quality, innovative COR Cooling™ products that can also be tailored to our customers' specific requirements. H-E Parts in-house engineering, COR Cooling™ product and associated service offerings, guarantee we can support customers throughout the full product life cycle while working to award the end user with the lowest total cost of ownership.

#### FEATURES AND BENEFITS

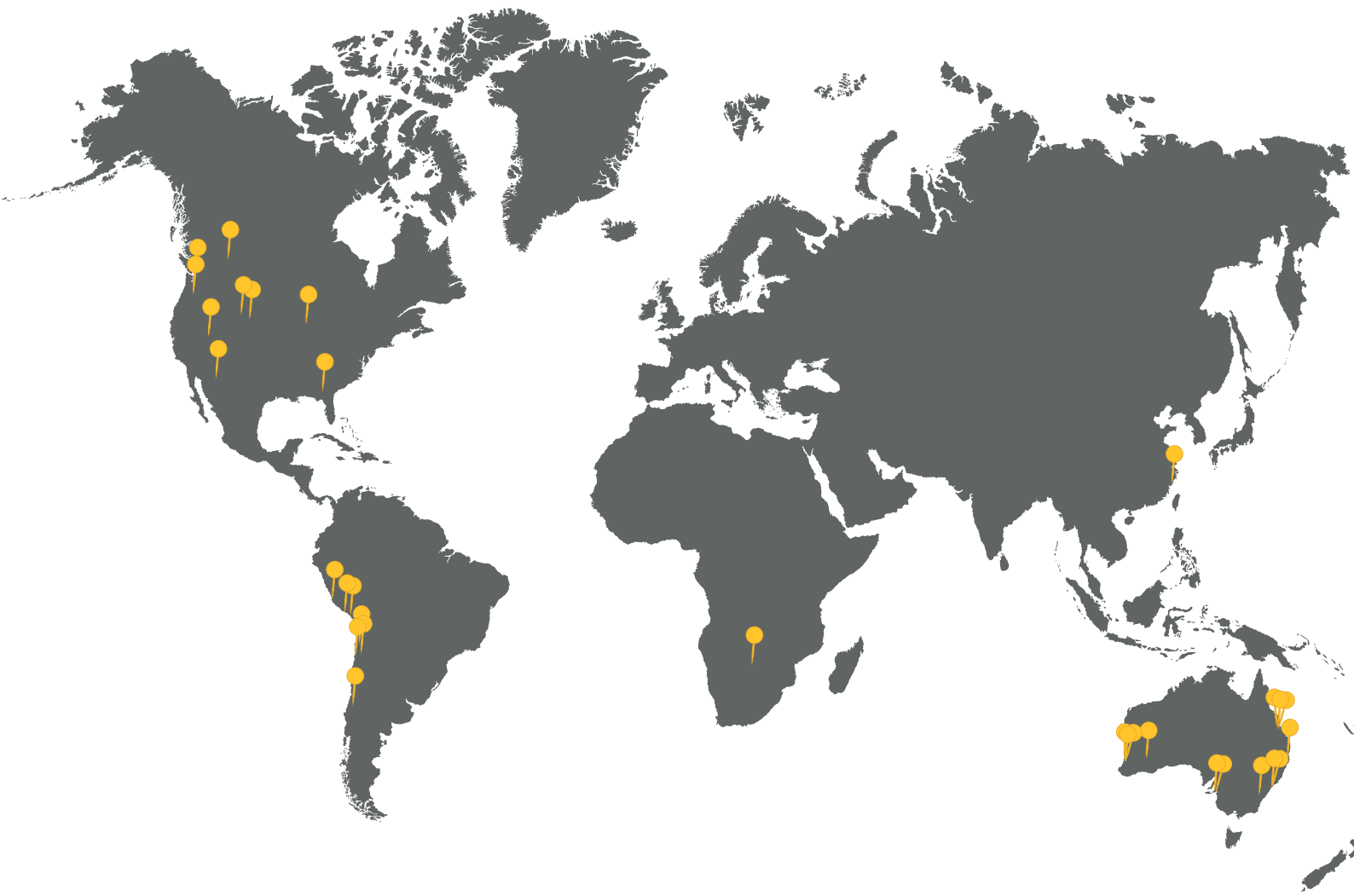
With our extensive range and abilities of our COR Cooling™ bar and plate product line, we are able to supply replacement components for a variety of customers across a range of industries. Benefits of this product line include a combination of the below features:

- Heavy duty bar and plate designed to extend service life
- Corner block reinforcements prevent premature failure of end tubes
- Anodized cores and aluminum for extended service life resulting in less downtime and resistant to corrosion
- Sideband expansion slits allow the core to expand and contract evenly to prevent premature cracking
- Two pass design to maximize cooling
- Reduced pipe work to increase airflow
- Enhanced external open fin design to prevent blockages and ease cleaning



INNOVATION.  
NOT DUPLICATION.™

# H-E PARTS, GLOBAL LOCATIONS, FOR GLOBAL SOLUTIONS.



H-E Parts International replacement parts are compatible with the makes and/or models of the third-party equipment described. H-E Parts International is not an authorized repair facility of these third parties and it does not have an affiliation with any manufacturers of these third-party products. All brands, original equipment manufacturer (OEM) part numbers or references are owned by the respective OEM entities or their affiliates. These terms are used by H-E Parts International for identification and cross reference purposes only and are not intended to indicate affiliation with, or approval by the OEM, of H-E Parts International or its products.



MINING SOLUTIONS COOLING DIVISION

HEPI09AUG2021

[www.h-eparts.com](http://www.h-eparts.com)