

INNOVATION.
NOT DUPLICATION.™



**H-E PARTS
INTERNATIONAL**

CRUSHING SOLUTIONS

AUSPACTOR™

**VERTICAL SHAFT IMPACT (VSI)
CRUSHER**

AUSPACTOR™ APPLICATIONS

1. SHAPING OF AGGREGATE FOR CONCRETE AND ASPHALT
2. MANUFACTURE OF GRADED SANDS
3. MANUFACTURE OF FINES FOR MINERAL EXTRACTION
4. ORE SIZE REDUCTION TO INCREASE MILL PERFORMANCE
5. FINE CRUSHING OF LIMESTONE AND GYPSUM FOR AGRICULTURAL USE
6. CEMENT CLINKER SIZE REDUCTION
7. PROCESSING OF RECYCLED WASTE SUCH AS GLASS, TILES, BRICKS AND CONCRETE

The Auspactor™ vertical shaft impact crusher (VSI), designed and manufactured by H-E Parts International (H-E Parts), is the benchmark in VSI performance and cost effectiveness. The innovative design of the Auspactor™ VSI is based on years of experience and field trials. The Auspactor™ rotor fabrication has no exposed or protruding fasteners so streaming wear is reduced to a minimum. The Auspactor™ can be used in quarries and metalliferous mining operations where it is essential to meet strict product specifications for particle shape, manufactured sand and fines for mineral extraction.

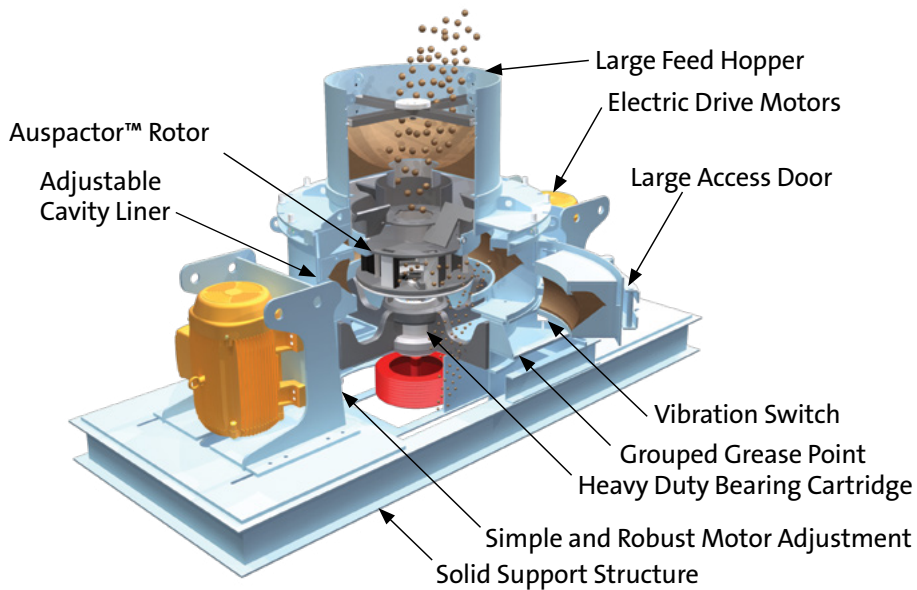
OPERATING PRINCIPLE

The Auspactor™ VSI uses a rock-lined rotor to accelerate the discharging material to typically 40 – 60 m/s, impacting into a violently agitating turbulent zone contained within a rock lined crushing chamber. This high velocity rock-on-rock impact action causes the material to fracture along weak planes, shatter, chip off ragged edges and or abrade to provide the uniquely shaped product that can only be achieved through a rock-on-rock VSI such as the Auspactor™.

MACHINE RANGE

MODEL	DRIVE	MAX KW	MAX FEED SIZE	THROUGHPUT [MTPH]
VS75RR	SINGLE	75	45	75
VS100RR	SINGLE	160	60	160
VS200RR	SINGLE	250	75	250
VS200RR	DUAL	2x150	75	300
VS300RR	SINGLE	300	75	300
VS300RR	DUAL	2x350	75	600

FEATURES & BENEFITS



- Higher productivity with lower operating and wear costs due to superior rotor design.
- Auspactor™ rotor utilizes a lift-in lift-out (LILO) one-piece tip design to allow the simplest tip changing system available.
- Minimal wear parts reduce maintenance requirements.
- High tolerance to hard, abrasive, fine, wet or sticky feed materials due to superior rotor design.
- Large feed hopper adds surge capacity.
- Large access door for ease of inspection of machine internals and access to changing rotor wear parts.
- Crusher body rubber mounted to isolate crushing forces from support structure and motor/s.
- Reliable, proven bearing cartridge design for long life and ease of maintenance.
- Vibration activated switch for protection of crusher.
- Simple and robust motor adjustment for ease of drive belt tensioning.
- Generous discharge openings to allow flexibility with chute design.
- Robust support structure for ease of mounting to various applications.
- Suitable for trailer or track mounting.
- Optional de-watering rotor for wet crushing and screening applications.

AUSPACTOR™ ROTOR

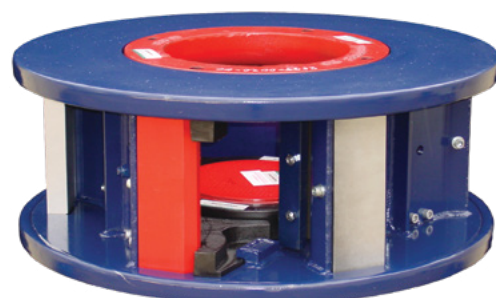
The smooth outer finish of the Auspactor™ rotor reduces the airborne fines streaming effect of the rotor and wear parts, resulting in greater intervals between wear component change-outs.

Benefits of the Auspactor™ rotor include:

- Easy to change parts.
- Less frequent wear part changes.
- Higher rotor throughput.
- Simple retrofit for any VSI crusher.
- Selection of wear parts including patented distributor plate.

TYPICAL ROTOR CAPABILITY

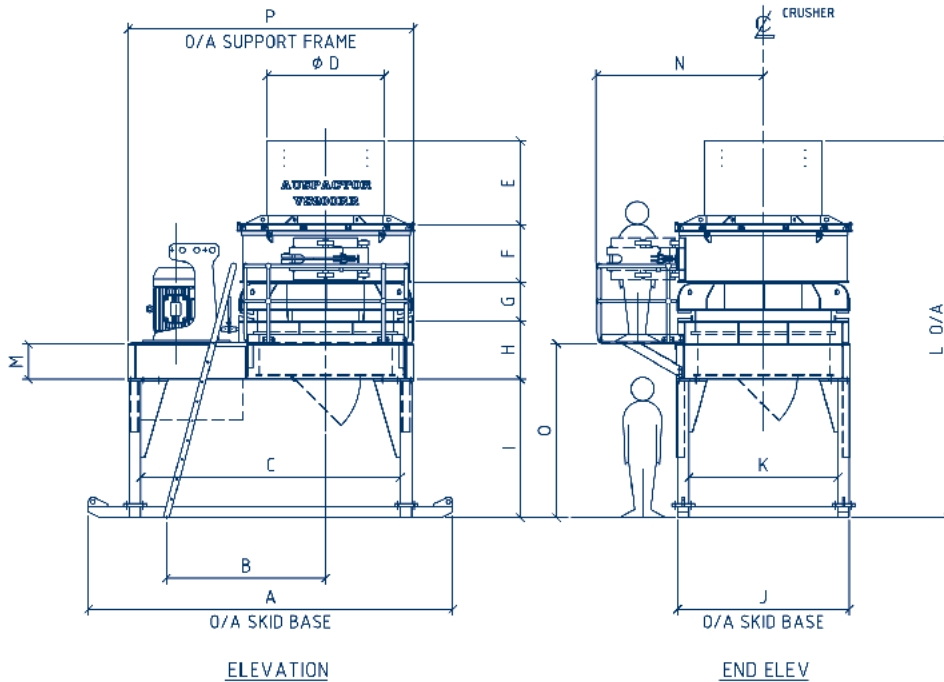
MODEL	PROFILE	FEED [MM]	THROUGHPUT CAPACITY [TPH]
700	Standard	60	175
700	High	75	300
850	Standard	75	400
850	High	75	600



AUSPACTOR™ SINGLE DRIVE CRUSHER



GENERAL ARRANGEMENT



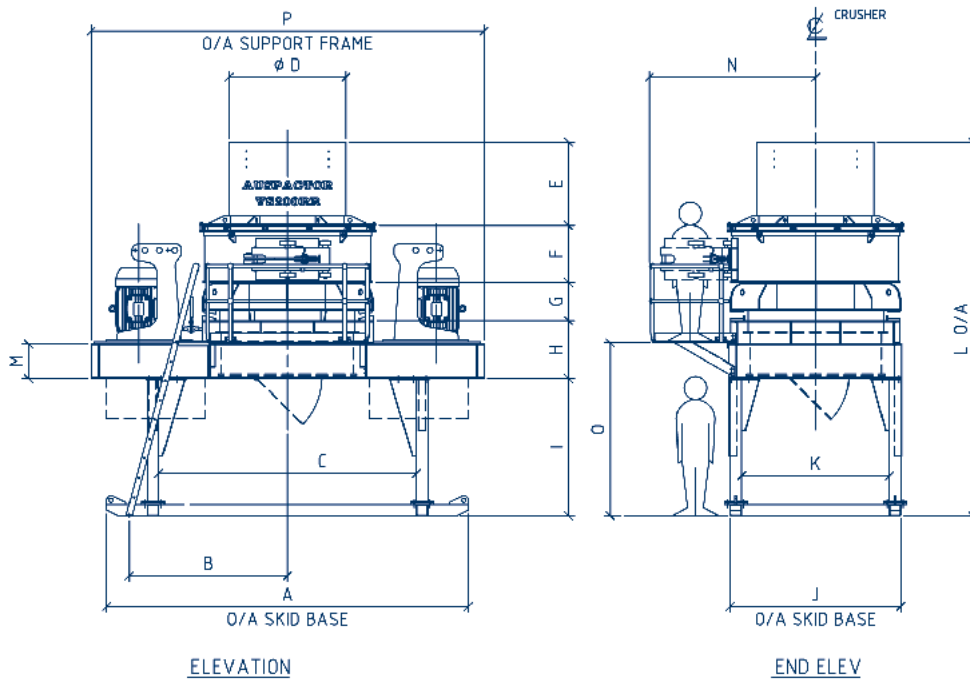
AUSPACTOR™ DIMENSIONAL DATA (MM)

DIMENSION / MODEL	VS75RR	VS100RR	VS200RR	VS300RR
A	4200	4400	4725	4725
B	1785	1923	2066	2066
C	2870	3040	3365	3365
D	1000	1286	1544	1544
E	764	814	1095	1095
F	586	834	740	740
G	244	392	501	556
H	450	457	754	754
I	1795	1795	1795	1795
J	1718	1990	2228	2228
K	1418	1690	1928	1928
L	3839	4292	4885	4940
M	250	307	454	454
N	1921	2058	2170	2170
O	2105	2105	2259	2259
P	3200	3370	3695	3695

AUSPACTOR™ DUAL DRIVE CRUSHER



GENERAL ARRANGEMENT



AUSPACTOR™ DIMENSIONAL DATA (MM)

Dimension / Model	VS100RR	VS200RR	VS300RR
A	4400	4725	4725
B	1923	2066	2066
C	3040	3365	3365
D	1286	1544	1544
E	814	1095	1095
F	834	740	740
G	392	501	556
H	457	754	754
I	1795	1795	1795
J	1990	2228	2228
K	1690	1928	1928
L	4292	4885	4940
M	307	454	454
N	2058	2170	2170
O	2105	2259	2259
P	4728	5126	5126



CRUSHING SOLUTIONS

HEPI08OCT18

www.h-eparts.com