

BIRRANA A10570 BEST PLUG TO SUIT CAT 785, 789 & 793A-D DIFFERENTIAL, BIRRANA A11780 BEST PLUG TO SUIT 793F DIFFERENTIAL

Most accidents involving machine operation or maintenance are caused by failure to observe basic safety rules or safety precautions. Read and understand all safety precautions and warnings, before attempting installation and operation of the differential drain plug.

H-E Parts International cannot anticipate every possible circumstance that may involve a potential hazard. You must comply with all mine-specific safety procedures, and satisfy yourself that any procedure, tool or operation method used is safe for yourself and others.

Refer to the truck manufacturer's repair and maintenance instructions in conjunction with these instructions where applicable. Obey all recommended safety instructions or warnings.

Before working on any equipment make sure that the work area is safe, and that the equipment is tagged and locked out in accordance with mine safety procedures.

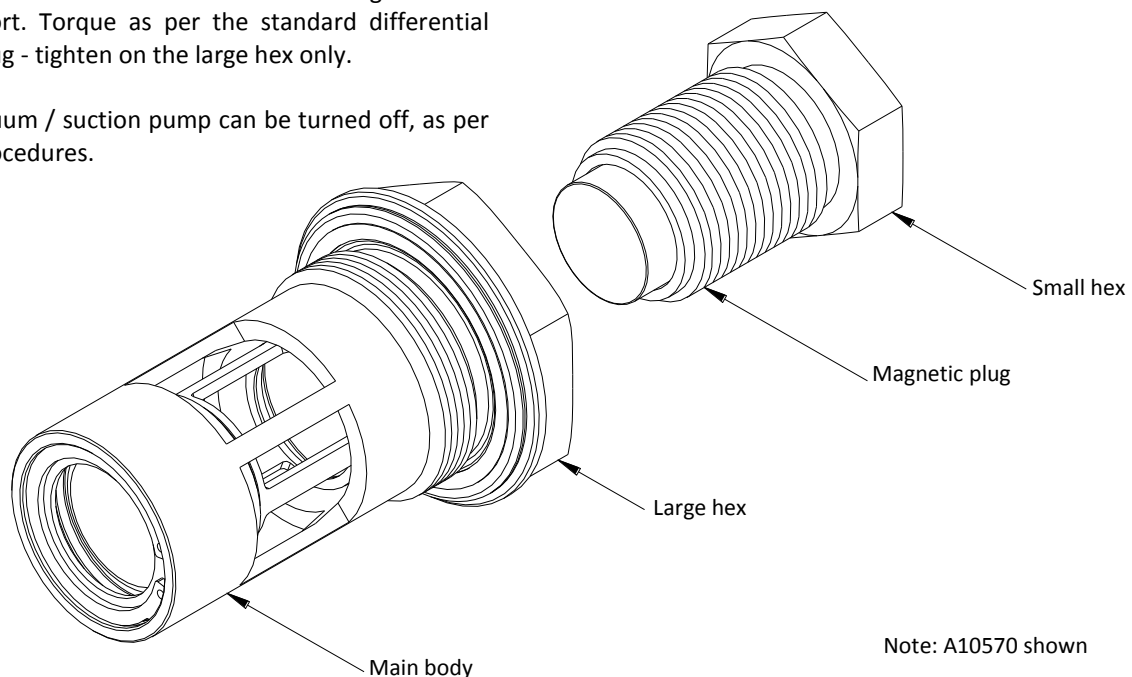
The differential compartment may contain some residual pressure. The potential exists for hot oil to be expelled, causing scalds, burns or personal injury. Wear gloves and protective eyewear, and ensure care is taken when using or removing plugs.

INSTALLING THE DIFFERENTIAL DRAIN PLUG

1. Drain the differential compartment of oil or ensure that OEM procedures are followed to apply vacuum / suction to the differential compartment.
2. Remove the original differential drain plug.
3. Ensure that the washer face, and threaded hole for the drain plug and surrounding area is clean.
4. Install the Birrana Differential Drain Plug into the drain port. Torque as per the standard differential drain plug - tighten on the large hex only.
5. The vacuum / suction pump can be turned off, as per OEM procedures.

MAGNETIC DEBRIS INSPECTION

1. Remove the magnetic plug by unscrewing the small hex, ensuring that the main body remains in place in the axle housing. The magnet can be inspected for debris.
2. Select a new B10569 plug, or clean the original plug's magnet.
3. Install the magnetic plug.



KIDNEY-LOOPING THE DIFFERENTIAL OIL

1. Remove the magnetic plug by unscrewing the small hex. The magnet can be inspected for debris.
2. Ensure that a suitable dry-break / quick-connect coupling has been fitted to the B11535 adaptor. The B11535 has a female 3/4" NPT thread for this purpose.
3. Install the B11535 adaptor into differential drain plug body.
4. Connect the kidney-looping hose to the differential drain coupling.
5. Follow standard kidney-looping procedure. Note that a flow restriction may occur through the B11535 adaptor. Check that the kidney-looping system still functions correctly.
6. Disconnect and remove the B11535 adaptor when the kidney-looping has finished.
7. Select a new B10569 plug, or clean the original plug's magnet.
8. Install the magnetic plug.

DRAINING THE DIFFERENTIAL COMPARTMENT

1. Follow standard OEM procedures - Note:
 - Removing the entire Differential Drain Plug Assembly will result in full oil flow rate (identical to removing standard plug).
 - Alternatively, the B11535 adaptor (with or without a drain hose connected) may be fitted in place of the magnetic plug to facilitate draining.

Removing the magnetic plug from the centre, and fitting the B11535 adaptor will result in a reduced oil flow rate. This can be of benefit when the normal oil flow rate is perceived as being too high.

If you require any further assistance with this procedure please contact your local H-E Parts representative.

Adelaide (08 8445 7755) Perth (08 9379 2718) Mackay (07 4952 5422) Newcastle (02 4964 9411)